

19 870 809



- 240mm projection
- pivotable spout 360°
- Optional swivel limiter available with swivel limiter set 12 823 970 90
- air-enriched flow and spray flow
- 1800 mm metal shower hose
- sprayface with anti-scaling system
- max. flow 8 l/min at 3 bar flow pressure
- lead-free
- This product can help a building meet the requirements of Green Building Rating Systems, e.g. LEED®, BREEAM®, DGNB

Intrinsic protection against back flow.

| | | |
|---|--------------------------------|---------------|
|  | Chrome | 19 870 809-00 |
|  | Brushed Platinum | 19 870 809-06 |
|  | Platinum | 19 870 809-08 |
|  | Durabronze (23kt Gold) | 19 870 809-09 |
|  | Dark Chrome | 19 870 809-19 |
|  | Brushed Durabronze (23kt Gold) | 19 870 809-28 |
|  | Matte Black | 19 870 809-33 |
|  | Brushed Champagne (22kt Gold) | 19 870 809-46 |
|  | Champagne (22kt Gold) | 19 870 809-47 |
|  | Brushed Chrome | 19 870 809-93 |
|  | Brushed Dark Platinum | 19 870 809-99 |

Recommended miscellaneous



Swivel limitation set -

12 823 970 90

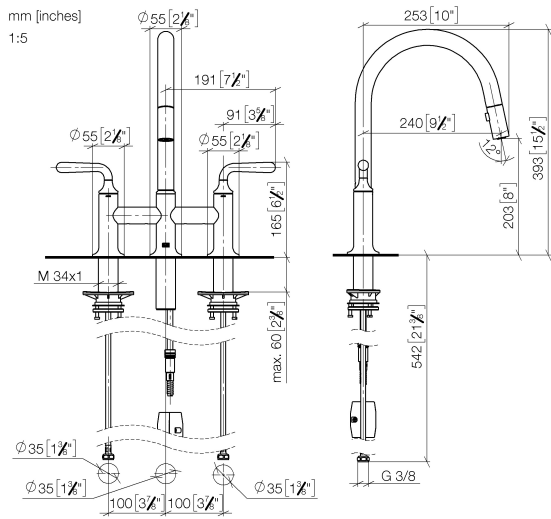
Recommended miscellaneous



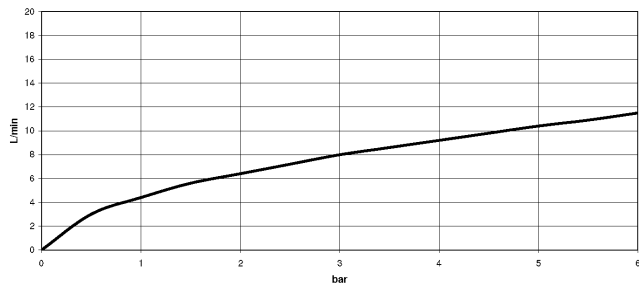
VAIA Dispenser with rosette - Chrome

82 434 809-00

19 870 809



Flow rate chart

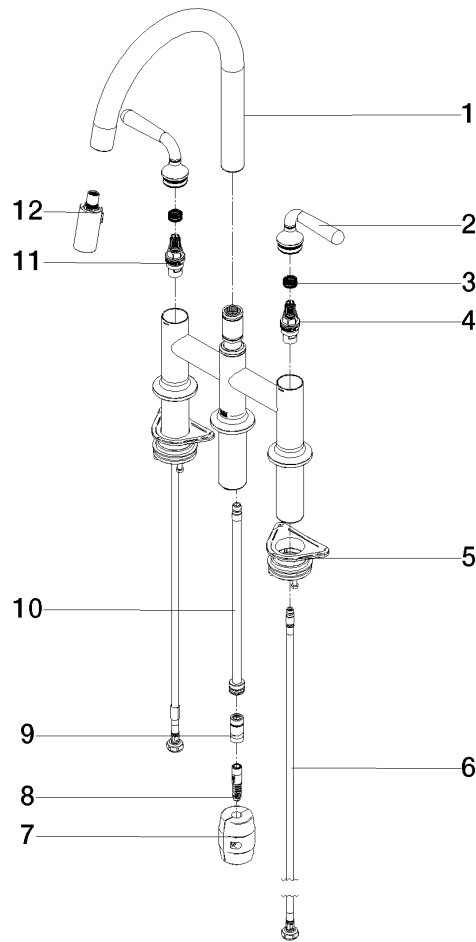


Certificates

LGA_38633.

Belgaqua_24-005-
27_3.

19 870 809



Spare parts list

| No. | Item Number | Name | Quantity used | Delivery time |
|-----|--------------------|-------------|---------------|---------------|
| 1 | 90 28 22 397 00-00 | spout | 1 | 10 |
| 2 | 90 20 80 057 00-00 | handle | 2 | 10 |
| 3 | 90 12 12 232 00 90 | fixing cap | 2 | 2 |
| 4 | 90 90 03 130 00 90 | top | 1 | 2 |
| 5 | 04 30 11 040 00 90 | fixing set | 2 | 2 |
| 6 | 04 30 04 100 00 90 | hose | 2 | 2 |
| 7 | 04 21 50 010 00 90 | accessories | 1 | 2 |
| 8 | 04 30 02 120 00-00 | hose | 1 | 10 |
| 9 | 90 24 03 253 00 90 | adaptor | 1 | 2 |
| 10 | 04 28 20 067 00 90 | pipe | 1 | 2 |
| 11 | 90 90 03 131 00 90 | top | 1 | 2 |
| 12 | 90 18 40 317 00-00 | shower | 1 | 10 |